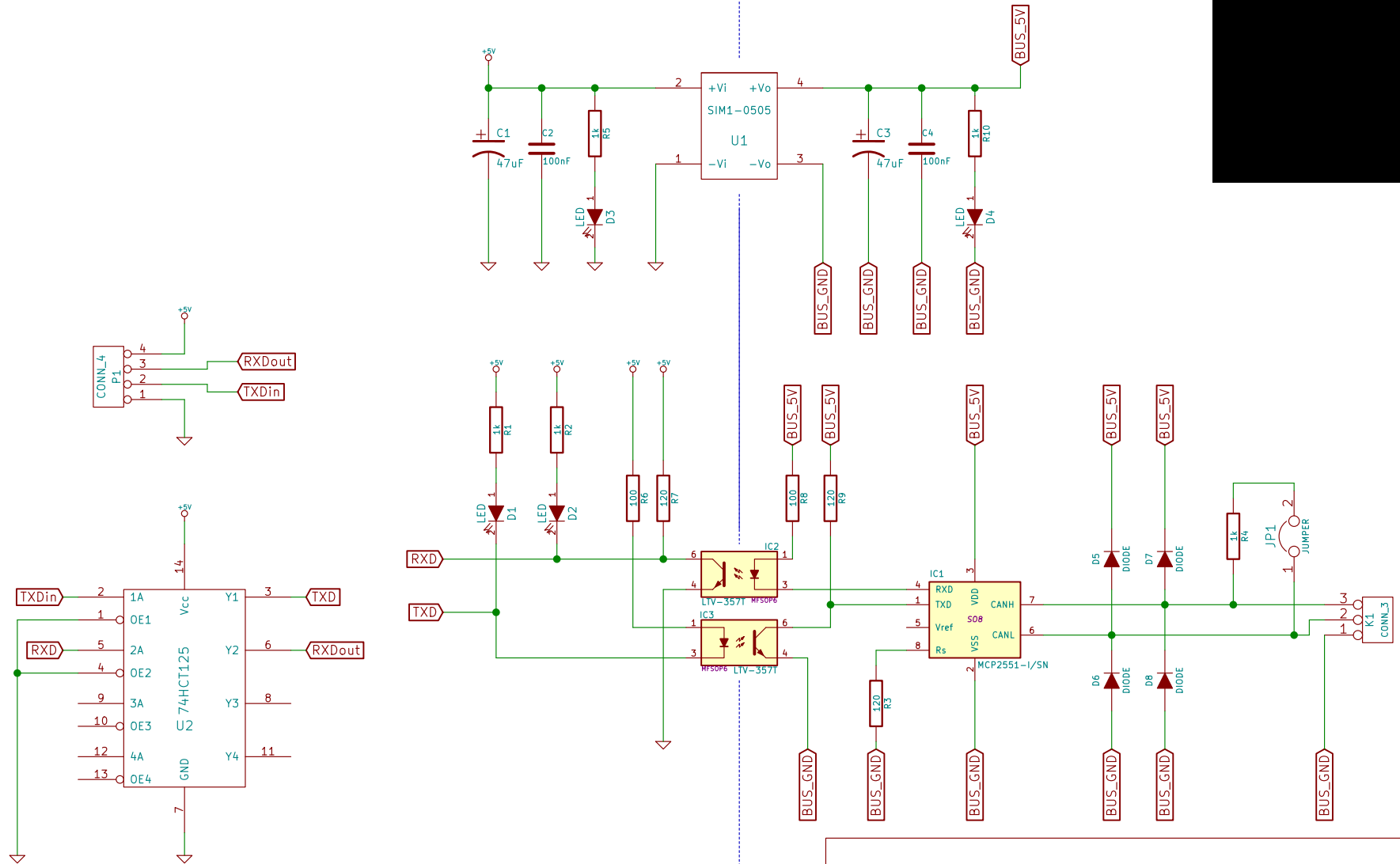


Input side

Bus side



Chaos Seidenstrasse Werke Kaiserslautern

Sheet: /
File: sss7modem.sch

Title: Seidenstrasse Signaling System 7 Modem

Size: A4 Date: 8 jul 2015
KiCad E.D.A. kicad 4.0.0-rc1-stable

Rev: 1.0
Id: 1/1